

SECTION I -- GENERAL INFORMATION

A. Purpose
 Per BIMC 15.20, a Stormwater Pollution Prevention Plan (SWPPP) consists of temporary controls to be used during construction to prevent erosion or transport of sediment or other pollutants from the site. Only the most common methods are shown on this plan, other methods are available and may be required.

Appropriate permits shall be obtained from The City of Bainbridge Island for temporary drainage discharge, sidewalk/street closure and/or material storage in street and/or alley right-of-way.

B. Scope
 All land-disturbing activities are required to control erosion. The City reviews and approves SWPPP for permit applications that create more than 800 square feet of impervious surface and/or 7000 sq. ft. of land disturbance. This standardized plan was developed to assist the small project permit applicant design his or her erosion control plan. Construction erosion control measures must be in place and approved by the City of Bainbridge Island before any earth disturbance. Call (206) 842-2016 to schedule an inspection prior to project start.

C. Definitions
LAND-DISTURBING ACTIVITY - Means any activity that results in a movement of earth, or a change in the existing soil cover (both vegetative and nonvegetative) or the existing topography. Land-disturbing activities include, but are not limited to, clearing, grading, filling, excavation, or addition or replacement of impervious surface.

SMALL PROJECT - Means project with less than 5,000 square feet of new or replaced impervious surface or less than one acre of land disturbing activity.

WATERCOURSE - Means the route, constructed or formed by humans or by natural processes, generally consisting of a channel with bed, banks or sides, in which surface water flows.

SECTION II -- INSTRUCTIONS FOR USE OF THIS PLAN

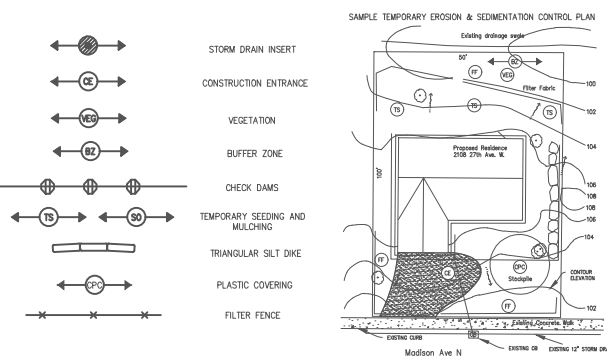
A. General Plan Information
 Complete construction stormwater control details and requirements may be found in the Washington State Department of Ecology 2005 Stormwater Management Manual for Western Washington. (<http://www.ecy.wa.gov/programs/wq/stormwater/manual>)

Fill in the site plan section of this standard plan. Draw the project SWPPP and TESC measures to be used before and during project construction on the site plan section. Show all minimum stormwater controls to be used during construction and to permanently stabilize the site. See elements below.

B. Elements
 All of the following erosion control methods must be addressed, choose BMPs that will mitigate construction impacts.

1. Mark Clearing Limits: Orange construction fencing, minimum of 4' high, durable and sturdy posts.
2. Construction Access: Limit construction vehicle access, whenever possible, to one location. Stabilize all access points. Provide periodic street cleaning by sweeping or shoveling any sediment that may have been tracked out. Place sediment in a suitable disposal area where it will not erode again. No sediment shall be tracked onto paved streets or roadways. In the event that sediment is tracked onto pavement, the contractor shall implement measures immediately to correct the situation. Street sweeping shall be considered an emergency measure and not a basic component of erosion control prevention. Sediment tracked onto paved surfaces shall not be washed into storm drains or other utility inlets.
3. Control Flow Rates: COBI Surface and Stormwater Management Plan (SSWM) Worksheet.
4. Sediment Controls: Prior to leaving the construction site, runoff from disturbed areas shall pass through appropriate sediment removal BMP's. Some available BMP's are, silt fence, silt dikes, check dams, straw wattles and rolled erosion control products.
5. Stabilize Soils: From October 1 to April 30, no soil shall remain unstabilized for more than 2 days. From May 1 to September 30, no soils shall remain unstabilized for more than 7 days. Stabilize all soils, including stockpiles that are temporarily exposed. Some available BMP's to stabilize soils and stockpiles are: straw, mulch, matting/rolled erosion control products, plastic covering and gravel base on areas that will be paved.
6. Protect Slopes: Off site stormwater shall be diverted away from slopes and disturbed areas with interceptor dikes and/or swales. Stabilize soles on slopes with plastic covering.
7. Protect Drain Inlets: Prevent sediment from entering all storm drains, including ditches that receive runoff from the disturbed area, by installing storm drain inlet inserts, using sandbags and vacuuming sediment from impervious surfaces. Inlets should be inspected weekly at a minimum and daily during storm events. Inlet protection devices should be replaced when sediment has filled one-third of the available storage capacity.
8. Stabilize Channels and Outlets: Stabilization, including armoring material adequate to prevent erosion of outlets, adjacent stream banks, slopes and downstream reaches shall be provided at the outlet of all conveyance systems.
9. Control Pollutants: All pollutants shall be handled and disposed of in a manner that does not cause contamination of stormwater. Concrete washout must be contained and removed from the site.
10. Control De-Watering: Turbid water must be filtered prior to discharge. Example - Foundation cut filled with turbid water and you need to remove the water to pour the foundation.
11. Maintain BMP's: All temporary and permanent erosion and sediment control BMP's shall be maintained and repaired as needed to assure continued performance of their intended function.
12. Manage the project.

SECTION IIIA -- SAMPLE PLAN (NOT TO SCALE)

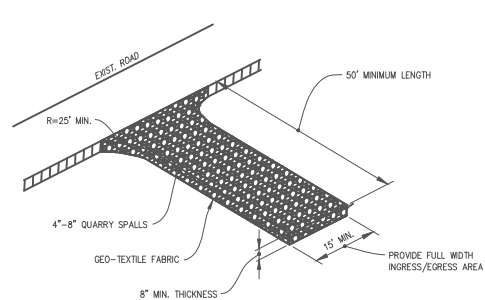


I agree to meet each requirement noted above and to use each stormwater control shown on the Site Plan to prevent erosion and sediment from leaving the site. I understand that I may be required to use additional controls if the controls on the site plan are not sufficient to prevent erosion or the transport of sediment or other pollutants from the site.

Signature _____ Date _____

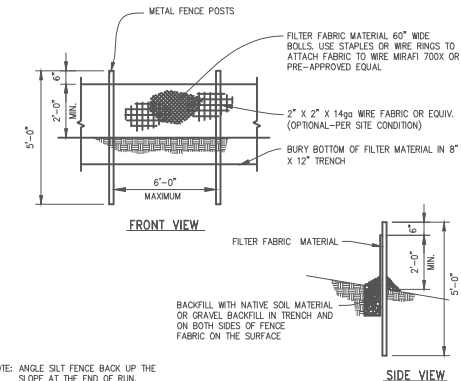
STANDARD DETAILS

ELEMENT 2 -- CONSTRUCTION ACCESS



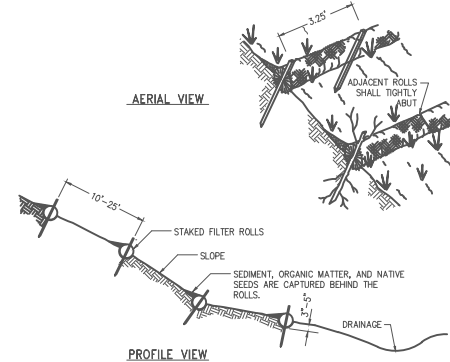
NOTE: STABILIZED ACCESS SHALL BE USED IN ALL AREAS OF THE SITE WITH VEHICLE TRAFFIC AND PARKING.

ELEMENT 4 -- FILTER FENCE

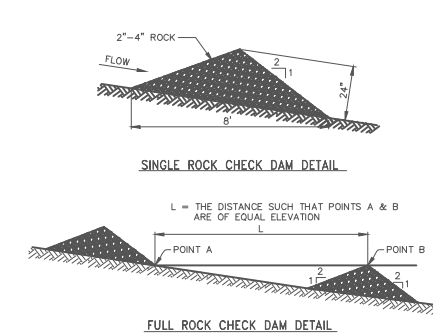


NOTE: ANGLE SILT FENCE BACK UP THE SLOPE AT THE END OF RUN.

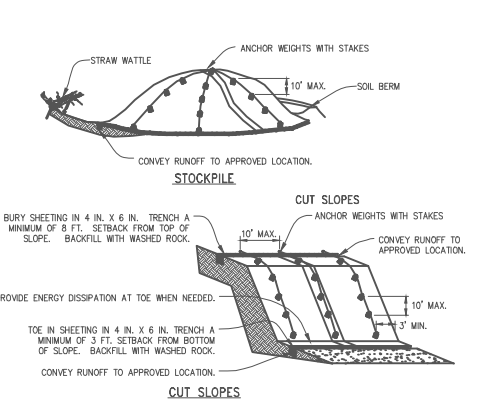
ELEMENT 4 -- STRAW WATTLES



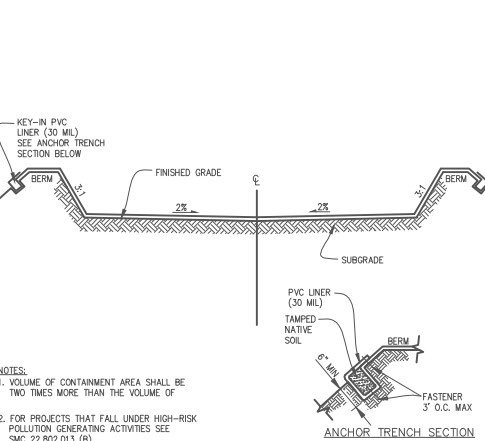
ELEMENT 4 -- ROCK CHECK DAM



ELEMENT 6 -- PLASTIC COVERING

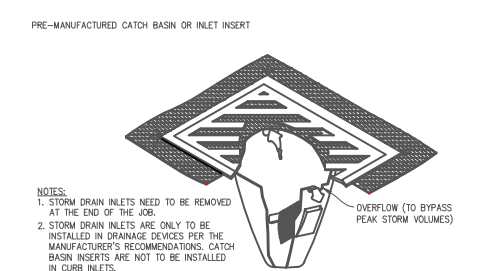


ELEMENT 9 -- CONCRETE CONTAINMENT AREA



NOTES:
 1. VOLUME OF CONTAINMENT AREA SHALL BE TWO TIMES MORE THAN THE VOLUME OF...
 2. FOR PROJECTS THAT FALL UNDER HIGH-RISK POLLUTION GENERATING ACTIVITIES SEE SMC 22.802.013 (6).

ELEMENT 7 -- STORM DRAIN INLET (INSERT)



NOTES:
 1. STORM DRAIN INLETS NEED TO BE REMOVED AT THE END OF THE JOB.
 2. STORM DRAIN INLETS ARE ONLY TO BE INSTALLED IN DRAINAGE DEVICES PER THE MANUFACTURER'S RECOMMENDATIONS. CATCH BASIN INSERTS ARE NOT TO BE INSTALLED IN CURB INLETS.
 3. INSERTS SHALL BE INSPECTED AND MAINTAINED WHEN A 1/2 INCH RAIN ACCUMULATES WITHIN A 24 HOUR PERIOD. CLEAN AND/OR REPLACE INSERT WHEN HALF OF THE TRAP IS FILLED WITH SEDIMENTS.

THIS PRESCRIPTIVE PLAN IS MEANT TO FACILITATE COMPLIANCE WITH DOE MINIMUM REQUIREMENT 2. SEE STORMWATER MANAGEMENT MANUAL FOR WESTERN WASHINGTON VOLUME 1 SEC. 2.5.

SITE PLAN CHECK LIST:

- SCALE: 1"=5', 1"=10' or 1"=20'
- NORTH ARROW
- LOT DIMENSIONS including street names and driveways.
- NEW AND/OR EXISTING BUILDING FOOTPRINT including porches, walks, decks, roof lines, overhangs and floor cantilevers.
- BUFFERS including required buffer areas, open spaces and green belts.
- SURFACE WATER DRAINAGE including shorelines, wetlands, ponds, ditches, and streams.
- SITE CONTOURS Contour intervals showing elevation of the land may be expressed relative to any fixed point on the site (GIS data available from City).
- RETAINING WALLS including rockeries and retaining walls.
- Erosion controls proposed

SECTION IIIB -- SITE PLAN

CHECK SCALE USED:
 ONE SQUARE = ONE FOOT (1"=1')
 ONE SQUARE = TWO FEET (1"=2')
 ONE SQUARE = THREE FEET (1"=3')

STORM WATER POLLUTION PREVENTION PLAN (SWPPP)
 (see BIMC 15.20 and DOE Stormwater Management Manual for Western Washington)

CITY OF BAINBRIDGE ISLAND
Standard Plan



SWPPP STANDARD PLAN

Permit Number: _____
 Applicant's Phone Number: _____
 Applicant's Name: _____

PUBLIC WORKS DEPARTMENT

Site Address: _____